

What our customers are saying!

“Your CM10 grade fuses beautifully and brazes just as well.”

“Your strip is some of the nicest carbide we have ever seen.”

“We’ve had zero issues running your material thru our Fuzing/ Brazing/Grinding process.”

“The stocking program CMI put together has been a life saver when we need to have carbide ship the same day.”



CMI Unlimited

4925 Galaxy Parkway, Unit M
Warrensville Heights, OH 44128

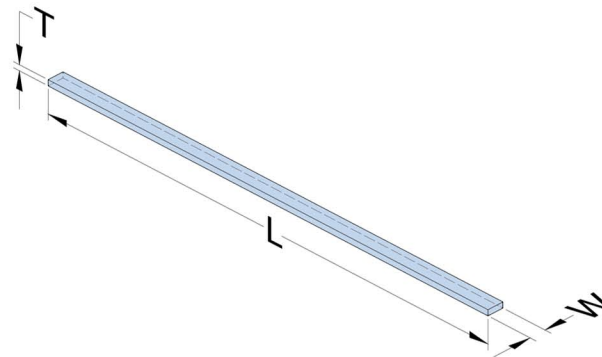
Phone: 216-378-9277

Fax: 216-378-9278

Toll Free: 855-264-8253

www.cmiunlimited.com

**CM10 Strip
Standard Stock Sizes**



Description (Inch)	Thickness	Width	Length	CM10N	CM10F
1/8 x 3/16 x 27-1/2	0.125"	0.1875"	27.500"	★	
1/8 x 1/4 x 27-1/2	0.125"	0.2500"	27.500"	★	★
1/8 x 5/16 x 27-1/2	0.125"	0.3125"	27.500"	★	★
1/8 x 3/8 x 27-1/2	0.125"	0.3750"	27.500"	★	★
1/8 x 7/16 x 27-1/2	0.125"	0.4375"	27.500"	★	
1/8 x 1/2 x 27-1/2	0.125"	0.5000"	27.500"	★	★
1/8 x 9/16 x 27-1/2	0.125"	0.5625"	27.500"	★	
1/8 x 5/8 x 27-1/2	0.125"	0.6250"	27.500"	★	
1/8 x 11/16 x 27-1/2	0.125"	0.6875"	27.500"	★	
1/8 x 3/4 x 27-1/2	0.125"	0.7500"	27.500"	★	★
1/8 x 7/8 x 27-1/2	0.125"	0.8750"	27.500"	★	
1/8 x 1 x 27-1/2	0.125"	1.0000"	27.500"	★	★
Tolerances	+0.008" +0.032"	+0.008" +0.032"	+0.000" +0.395"		
CM10N	WC 90% / Co 10% / Medium Grain Size (2 micron avg.)				
CM10F	WC 90% / Co 10% / Sub Micron Grain Size (.8 micron avg.)				

Toll Free Number: 855-264-8253



 **CMI
Carbide Strip**

- ✓ Braze
- ✓ Fuse
- ✓ Grind

700 mm Lengths



NEW